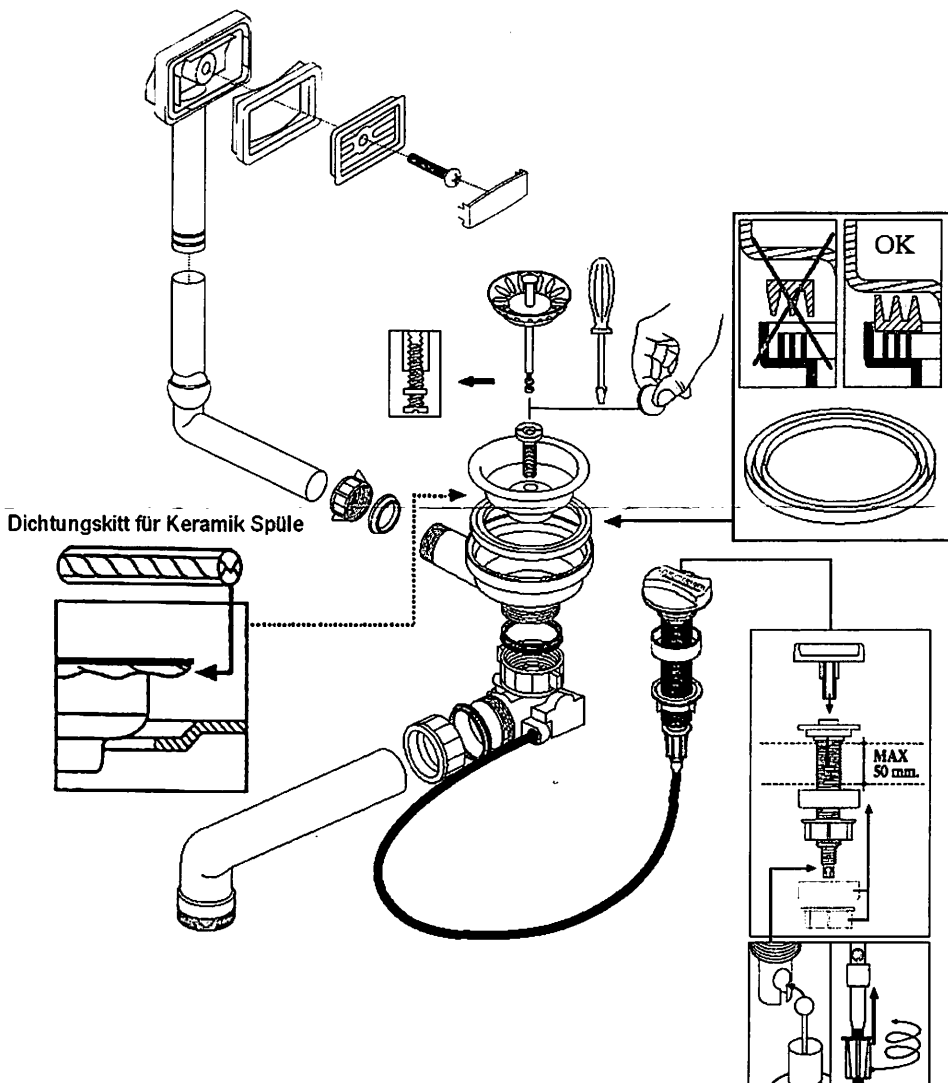


systemceram



0863 | SYS 027

REV.: 30/2012